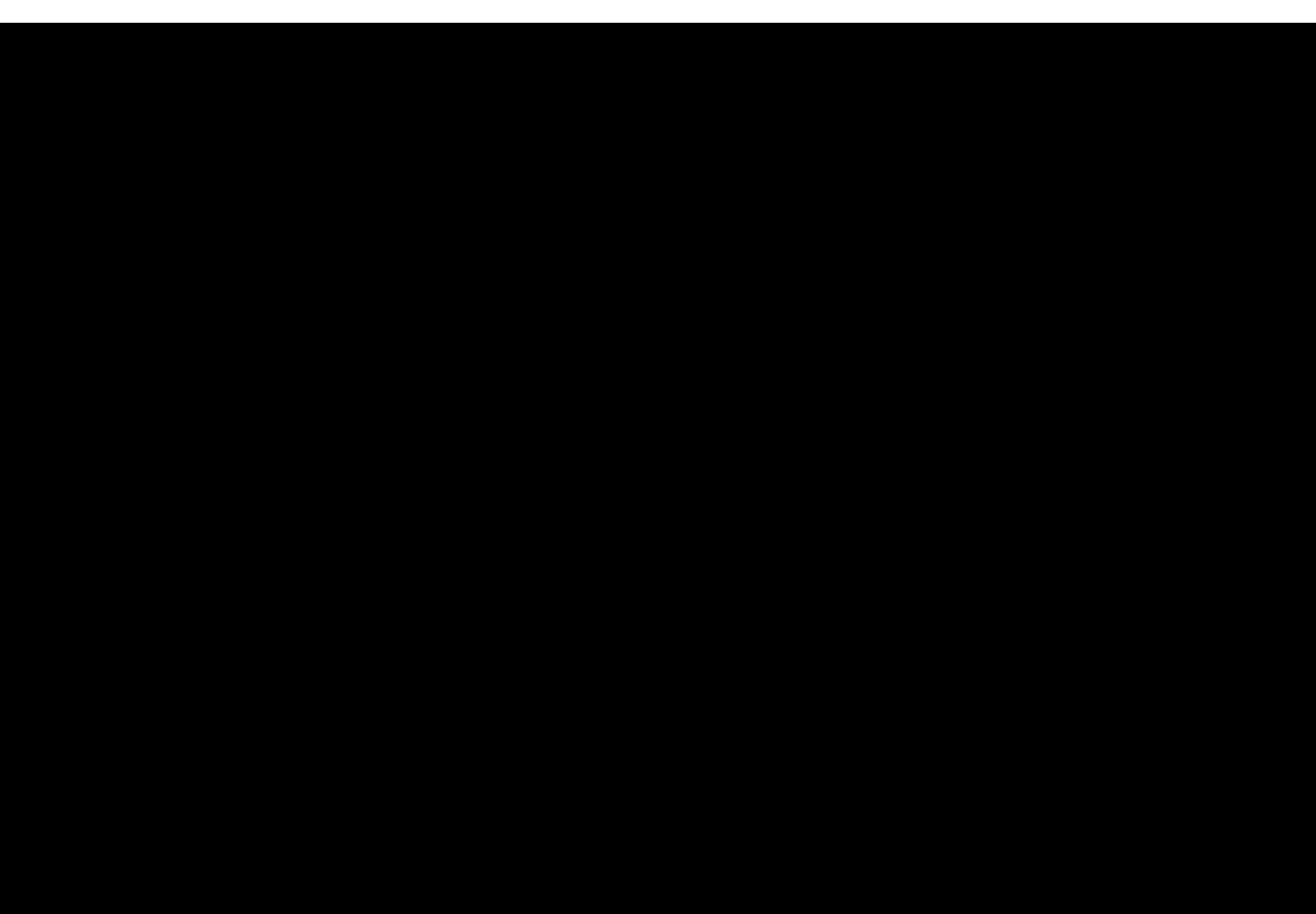


DC MOTORS

UNIVERSAL
COMMUTATOR
MOTORS

DOMEL[®]
We create motion



Mission

Vision

Our Mission

Our innovative and marketable products enable the Domel group to grow and develop, thereby providing quality jobs.

Our Vision – the Future

Domel d.d. is a global developer and supplier of high-quality solutions based on electric motors and their applications. We also supply components, tools and equipment. We are active in the fields of cleaning technology, ventilation systems, industrial applications, the automobile industry, medicine and alternative energy sources.

We create motion!

Basic company details

Company name:	Domel, d.d.,
Address:	4228 Železniki, Otoki 21, Slovenia
Internet:	www.domel.com
Year of foundation:	1946
Quality standards achieved:	ISO 9001:2000, ISO 14001:2004, ISO/TS 16949:2002

DC Motors

Input Power P_1	25 W to 600 W
Output Power P_2	to 300 W
Voltage	to 240 V
Efficiency η	to 75 %
Diameter Φ	42,5 mm, 43,5 mm, 45 mm
Speed	5000 - 16000 min^{-1}
Life time	50h - 800h

To be used in

- Vacuum cleaner power head
- Small kitchen appliances; hand blenders, mixers
- Coffee makers
- Sewing machines
- Wheel chairs
- Biro equipment
- Automotive industry

Universal Commutator Motors

Input Power P_1	500 W to 2000 W
Output Power P_2	300 W to 1350 W
Voltage	to 240 V
Efficiency η	to 72 %
Speed	5000 - 17000 min^{-1}
Life time	100h - 650h

To be used in

- Food processors
- Small kitchen appliances
- Power tools
- Garden equipment: trimmers, chain saws

482.3.501

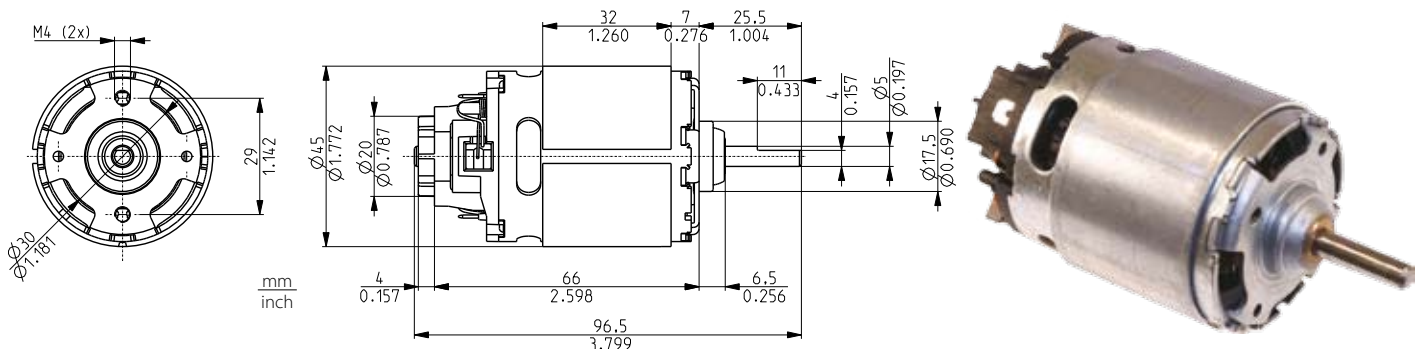
DC motor performance

DOMEL®

Technical data:

DC motors 482.3.501/ 55W/ 24V DC are designed for incorporation into various household appliances such as sewing machines, coffee mills, mixers, food processors, etc. where small dimensions, low weight, high power and long life are requested. Technical data and dimensions are given in the table. Our DC motors can operate in different positions. Shaft can also be adapted to customers needs. The motors is constructed according to EN 60335-1.

Code:	482.3.501
Voltage/frequency:	24 V DC
Rated input power:	55 W
Rated speed:	9300 min ⁻¹
Rated output power:	41 W
Rated torque:	4,2 Ncm / 6 oz-in
Direction of rotation:	CCW
Type of operation:	30 min "ON" 30 min "OFF"
	continuous
Ventilation:	without
Mass:	0,31 kg



Dimensional and performance data are subject to change without notice.

Voltage	Current	Input Power	Speed	Torque		Output power	Efficiency
				Ncm	oz-in		
V	A	W	min ⁻¹			W	%
24	0,58	13	10200	0,0	0,0	0	0,0
24	1,03	24	10020	1,0	1,4	10	43,6
24	1,43	33	9820	2,0	2,8	21	62,5
24	1,86	43	9598	3,0	4,2	30	70,0
24	2,27	53	9414	4,0	5,6	39	74,6
24	2,37	55	9348	4,2	6,0	41	75,2
24	2,71	63	9198	5,0	7,1	48	76,6
24	3,13	73	9018	6,0	8,5	57	78,0
24	3,56	83	8809	7,0	9,9	65	78,0
24	3,99	93	8596	8,0	11,3	72	77,6
24	4,41	103	8391	9,0	12,8	79	77,2
24	4,84	112	8141	10,0	14,2	85	76,0
24	5,24	122	7976	11,0	15,5	92	75,0
24	5,70	132	7657	12,0	17,1	97	73,0
24	15,30	357	2372	33,3	47,1	83	23,2

Data above represent the performance of an average motor sample. Individual data may vary due to normal manufacturing variations.

482.3.504

DC motor performance

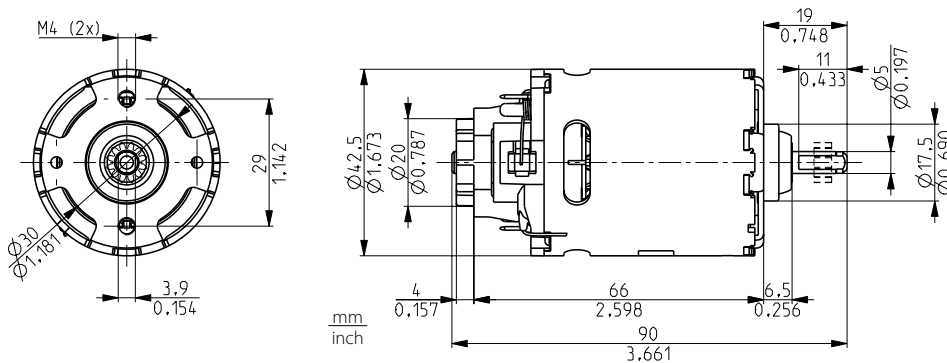
DOMEL®

Technical data:

DC motors 482.3.504/ 165W/ 230V/ 0-50Hz are designed for incorporation into various household appliances such as coffee mills, mixers, food processors, etc. where small dimensions, low weight and high power are requested. Technical data and dimensions are given in the table. Our DC motors can operate in different positions. Shaft can also be adapted to customers needs. The motors is constructed according to EN 60335-1.

Code:	482.3.504
Voltage/frequency:	230 V/50 Hz + Graetz
Rated input power:	165 W
Rated speed:	13500 min ⁻¹
Rated output power:	96 W
Rated torque:	6,8 Ncm / 9,6 oz-in
Direction of rotation:	CW
Type of operation:	7 s "ON" 23 s "OFF"
	140 periods
Ventilation:	internal
Mass:	0,26 kg

Also available in 100V and 120V version



Dimensional and performance data are subject to change without notice.

Voltage	Current	Input Power	Speed	Torque		Output power	Efficiency
				Ncm	oz-in		
V	A	W	min ⁻¹			W	%
230	0,19	32	19120	0,0	0,0	0	0,0
230	0,49	93	16522	3,0	4,3	52	56,3
230	0,77	155	14529	6,1	8,6	92	59,5
230	0,82	167	13944	6,8	9,6	99	59,5
230	1,02	213	12497	9,2	13,0	120	56,4
230	1,25	267	10551	12,0	17,0	133	49,7
230	1,46	321	8177	15,1	21,4	129	40,3
230	1,66	372	5862	18,1	25,7	111	30,0

Data above represent the performance of an average motor sample. Individual data may vary due to normal manufacturing variations.

482.3.505

DC motor performance

DOMEL®

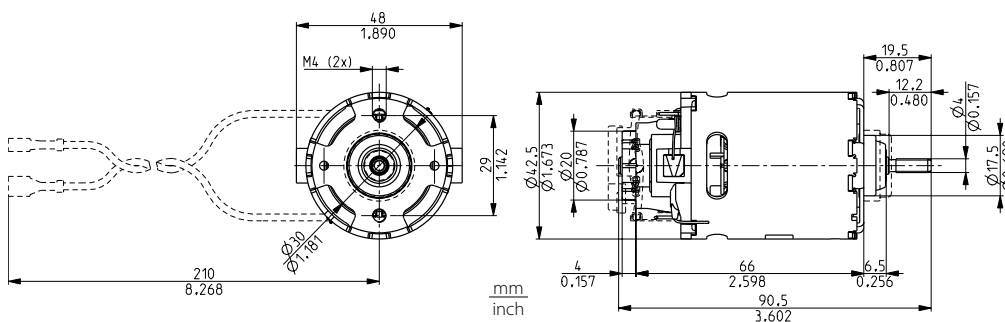
Technical data:

DC motors 482.3.505/ 55W/ 230V/ 0-50Hz are designed for incorporation into various household appliances such as vacuum cleaner power brushes, coffee mills, mixers, food processors, etc. where small dimensions, low weight, high power and long life are requested. Technical data and dimensions are given in the table. Our DC motors can operate in different positions. Shaft can also be adapted to customers needs.

The motors is constructed according to EN 60335-1.

Code:	482.3.505
Voltage/frequency:	230 V/50 Hz
	+ Graetz
Rated input power:	55 W
Rated speed:	9200 min ⁻¹
Rated output power:	27 W
Rated torque:	3 Ncm / 4,2 oz-in
Direction of rotation:	CCW
Type of operation:	S1
	by EN 60034-1
Ventilation:	internal
Mass:	0,26 kg

Also available in 100V and 120V version



Dimensional and performance data are subject to change without notice.

Voltage	Current	Input Power	Speed	Torque		Output power	Efficiency
				Ncm	oz-in		
V	A	W	min ⁻¹			W	%
230	0,14	26	11450	0,0	0,0	0	0,0
230	0,25	49	9836	2,0	2,8	21	42,4
230	0,30	60	9203	3,0	4,2	29	48,5
230	0,34	71	8603	4,0	5,7	36	51,1
230	0,44	92	7547	6,0	8,5	47	51,5
230	0,53	113	6523	8,0	11,4	55	48,6
230	0,62	134	5593	10,0	14,2	59	43,9
230	0,70	154	4624	12,0	17,0	58	37,9
230	0,78	172	3657	14,0	19,8	54	31,0
230	0,85	190	2563	16,0	22,6	43	22,6
230	1,05	236	93	22,3	31,6	2	0,9

Data above represent the performance of an average motor sample. Individual data may vary due to normal manufacturing variations.

482.3.510

DC motor performance

DOMEL®

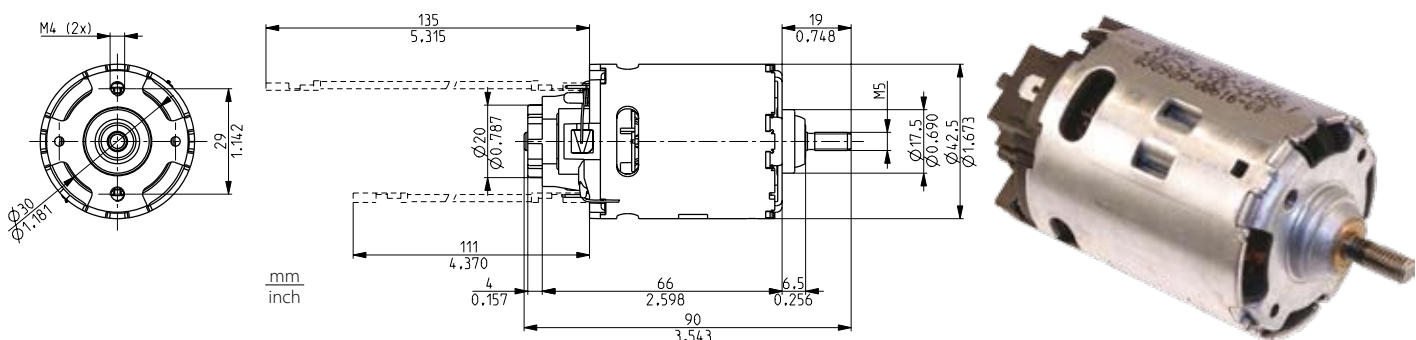
DC motors 482.3.510/ 70W/ 240V/ 0-50Hz are designed for incorporation into various household appliances such as vacuum cleaner power brushes, coffee mills, mixers, food processors, etc. where small dimensions, low weight, high power and long life are requested. Technical data and dimensions are given in the table. Our DC motors can operate in different positions. Shaft can also be adapted to customers needs.

The motors is constructed according to EN 60335-1.

Technical data:

Code:	482.3.510
Voltage/frequency:	240 V/50 Hz + Graetz
Rated input power:	70 W
Rated speed:	8600 min ⁻¹
Rated output power:	34 W
Rated torque:	4 Ncm / 5,7 oz-in
Direction of rotation:	CCW
Type of operation:	S1
	by EN 60034-1
Ventilation:	internal
Mass:	0,27 kg

Also available in 100V and 120V version



Dimensional and performance data are subject to change without notice.

Voltage	Current	Input Power	Speed	Torque		Output power	Efficiency
				Ncm	oz-in		
V	A	W	min ⁻¹			W	%
240	0,15	29	11200	0,0	0,0	0	0,0
240	0,24	50	9750	2,0	2,8	21	41,4
240	0,28	60	9150	3,0	4,2	29	48,7
240	0,33	71	8600	4,0	5,7	36	51,1
240	0,42	92	7600	6,0	8,5	48	52,2
240	0,51	113	6600	8,0	11,3	56	49,1
240	0,59	134	5600	10,0	14,2	59	44,0
240	0,67	154	4550	12,0	17,0	58	37,3
240	0,74	173	3550	14,0	19,8	52	30,0
240	0,82	193	2400	16,0	22,7	41	21,0
240	1,00	240	200	20,0	28,3	4	1,7

Data above represent the performance of an average motor sample. Individual data may vary due to normal manufacturing variations.

482.3.516

DC motor performance

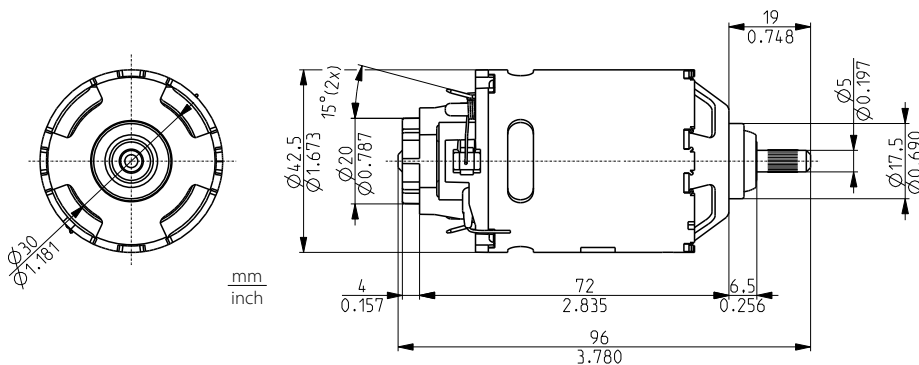
DOMEL®

DC motors 482.3.516/ 80W/ 230V/ 0-50Hz are designed for incorporation into various household appliances such as coffee mills, mixers, food processors, etc. where small dimensions, low weight and high power are requested. Technical data and dimensions are given in the table. Our DC motors can operate in different positions. Shaft can also be adapted to customers needs. The motors is constructed according to EN 60335-1.

Technical data:

Code:	482.3.516
Voltage/frequency:	230 V/50 Hz
	+ Graetz
Rated input power:	80 W
Rated speed:	8700 min ⁻¹
Rated output power:	45 W
Rated torque:	5 Ncm / 7,1 oz-in
Direction of rotation:	CW
Type of operation:	60 s "ON"
	60 s "OFF"
	5 periods
Ventilation:	without
Mass:	0,27 kg

Also available in 100V and 120V version



Dimensional and performance data are subject to change without notice.

Voltage	Current	Input Power	Speed	Torque		Output power	Efficiency
				Ncm	oz-in		
V	A	W	min ⁻¹			W	%
230	0,10	18	12150	0,0	0,0	0	0,0
230	0,24	47	10532	2,0	2,8	22	47,0
230	0,35	72	9395	4,0	5,7	39	55,1
230	0,40	83	8891	5,0	7,1	46	55,8
230	0,45	94	8335	6,0	8,5	53	55,7
230	0,56	119	7395	8,0	11,4	62	52,2
230	0,66	142	6524	10,0	14,2	69	48,2
230	0,76	165	5569	12,0	17,0	70	42,3
230	0,85	187	4588	14,0	19,8	67	36,0
230	0,93	208	3449	16,0	22,7	58	27,8
230	1,24	283	91	23,5	33,3	2	0,8

Data above represent the performance of an average motor sample. Individual data may vary due to normal manufacturing variations.

482.3.531

DC motor performance

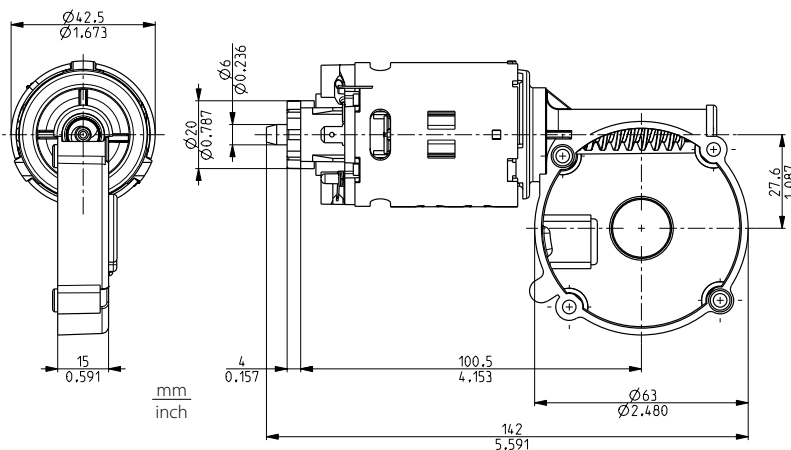
DOMEL®

DC motors 482.3.531/ 180W/ 230V/ 0-50Hz are designed for incorporation into various household appliances such as coffee mills, mixers, food processors, etc. where small dimensions, low weight and high power are requested. Technical data and dimensions are given in the table. Our DC motors can operate in different positions. Shaft can also be adapted to customers needs. The motors is constructed according to EN 60335-1.

Technical data:

Code:	482.3.531
Voltage/frequency:	230 V/50 Hz + Greutz
Rated input power:	180 W
Rated speed:	13500 min ⁻¹
Rated output power:	96 W
Rated torque:	6,8 Ncm / 9,6 oz-in
Direction of rotation:	CW
Type of operation:	10 s "ON" 40 s "OFF"
Ventilation:	internal
Mass:	0,38 kg

Also available in 100V and 120V version



Dimensional and performance data are subject to change without notice.

Voltage	Current	Input Power	Speed	Torque		Output power	Efficiency
				Ncm	oz-in		
V	A	W	min ⁻¹			W	%
230	0,27	47	18450	0,0	0,0	0	0,0
230	0,57	111	15915	3,0	4,2	50	44,8
230	0,82	168	13940	6,0	8,5	87	51,9
230	0,88	183	13410	6,8	9,6	95	52,3
230	1,06	225	12021	9,0	12,8	114	50,6
230	1,30	281	10223	12,0	16,9	128	45,5
230	1,52	336	8260	14,9	21,1	129	38,4
230	1,73	387	6063	18,0	25,4	114	29,5

Data above represent the performance of an average motor sample. Individual data may vary due to normal manufacturing variations.

482.3.702

DC motor performance

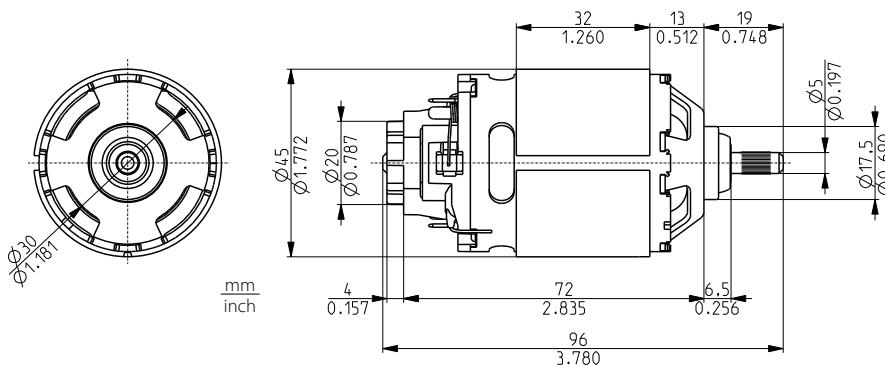
DOMEL®

DC motors 482.3.702/ 160W/ 230V/ 0-50Hz are designed for incorporation into various household appliances such as coffee mills, mixers, food processors, etc. where small dimensions, low weight and high power are requested. Technical data and dimensions are given in the table. Our DC motors can operate in different positions. Shaft can also be adapted to customers needs. The motors is constructed according to EN 60335-1.

Technical data:

Code:	482.3.702
Voltage/frequency:	230 V/50 Hz
	+ Graetz
Rated input power:	160 W
Rated speed:	10000 min ⁻¹
Rated output power:	105 W
Rated torque:	10 Ncm / 14,2 oz-in
Direction of rotation:	CW
Type of operation:	60 s "ON"
	60 s "OFF"
	5 periods
Ventilation:	without
Mass:	0,33 kg

Also available in 100V and 120V version



Dimensional and performance data are subject to change without notice.



Voltage	Current	Input Power	Speed	Torque		Output power	Efficiency
				Ncm	oz-in		
V	A	W	min ⁻¹			W	%
230	0,13	21	14300	0,0	0,0	0	0,0
230	0,28	51	13139	2,0	2,8	27	53,7
230	0,42	80	12272	4,0	5,7	51	64,3
230	0,55	109	11440	6,0	8,5	72	66,5
230	0,68	137	10673	8,0	11,3	89	65,3
230	0,80	165	9958	10,0	14,2	104	63,3
230	0,93	192	9197	12,0	17,0	116	60,4
230	1,05	221	8487	14,0	19,9	125	56,5
230	1,16	246	7861	16,0	22,6	131	53,5
230	1,28	275	7072	18,0	25,5	133	48,5
230	1,39	301	6368	20,0	28,3	133	44,4

Data above represent the performance of an average motor sample. Individual data may vary due to normal manufacturing variations.

482.3.714

DC motor performance

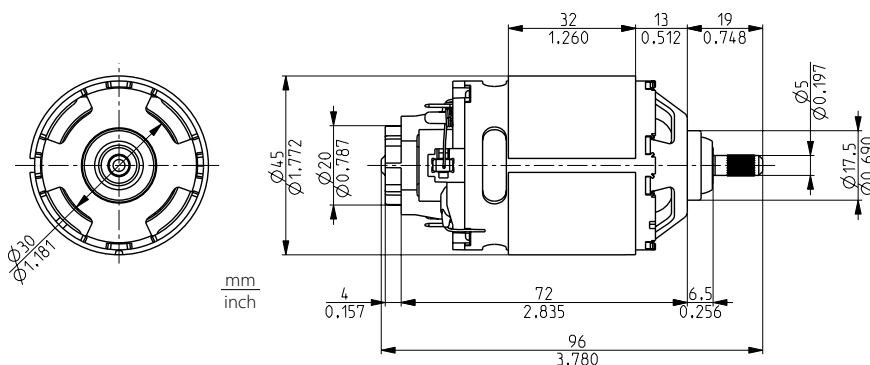
DOMEL®

DC motors 482.3.714/ 350W/ 220 - 240 V/ 0-50 Hz are designed for incorporation into various household appliances such as coffee mills, mixers, food processors, etc. where small dimensions, low weight and high power are requested. Technical data and dimensions are given in the table. Our DC motors can operate in different positions. Shaft can also be adapted to customers needs. The motors is constructed according to EN 60335-1.

Technical data:

Code:	482.3.714
Voltage/frequency:	220 - 240 V/50 Hz + Graetz
Rated input power:	350 W
Rated speed:	8800 min ⁻¹
Rated output power:	185 W
Rated torque:	20 Ncm / 28,3 oz-in
Direction of rotation:	CW
Type of operation:	15 s "ON" 3 min "OFF" 3 periods
Ventilation:	without
Mass:	0,35 kg

Also available in 100V and 120V version



Dimensional and performance data are subject to change without notice.

Voltage	Current	Input Power	Speed	Torque		Output power	Efficiency
				Ncm	oz-in		
V	A	W	min ⁻¹			W	%
230	0,16	27	17325	0,0	0,0	0	0,0
230	0,33	61	16054	2,0	2,8	34	54,9
230	0,49	94	14955	4,0	5,7	63	66,8
230	0,64	126	14004	6,0	8,5	88	69,7
230	0,79	157	13181	8,0	11,3	110	69,9
230	0,93	190	12462	10,0	14,1	130	68,3
230	1,07	222	11710	12,0	16,9	147	65,9
230	1,22	256	10978	14,0	19,8	161	62,9
230	1,35	286	10293	16,0	22,6	172	60,1
230	1,49	318	9567	18,0	25,5	180	56,7
230	1,62	350	8812	20,0	28,3	185	52,8
230	1,75	381	8092	22,0	31,1	186	48,9
230	1,88	416	7376	24,0	34,0	185	44,6
230	2,00	446	6481	26,0	36,8	176	39,5
230	2,12	476	5514	28,0	39,6	162	33,9
230	2,22	501	4420	30,0	42,5	139	27,7
230	4,49	1000	0	51,0	72,2	0	0,0

Data above represent the performance of an average motor sample. Individual data may vary due to normal manufacturing variations.

482.3.717

DC motor performance

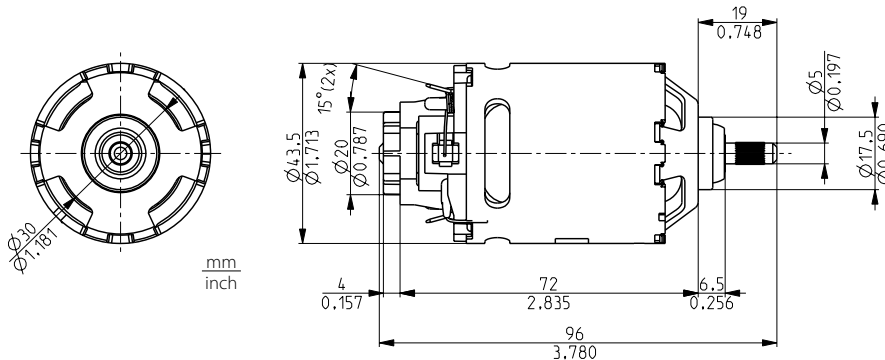
DOMEL®

DC motors 482.3.717/ 135W/ 230 V/ 0-50 Hz are designed for incorporation into various household appliances such as coffee mills, mixers, food processors, etc. where small dimensions, low weight and high power are requested. Technical data and dimensions are given in the table. Our DC motors can operate in different positions. Shaft can also be adapted to customers needs. The motors is constructed according to EN 60335-1.

Technical data:

Code:	482.3.717
Voltage/frequency:	230 V/50 Hz + Graetz
Rated input power:	135 W
Rated speed:	8000 min ⁻¹
Rated output power:	80 W
Rated torque:	10 Ncm / 14,2 oz-in
Direction of rotation:	CW
Type of operation:	60 s »ON« 60 s »OFF«
	5 periods
Ventilation:	without
Mass:	0,33 kg

Also available in 100V and 120V version



Dimensional and performance data are subject to change without notice.

Voltage	Current	Input Power	Speed	Torque		Output power	Efficiency
				Ncm	oz-in		
V	A	W	min ⁻¹			W	%
230	0,09	15	12400	0,0	0,0	0	0,0
230	0,21	38	11270	2,0	2,8	24	62,1
230	0,33	63	10253	4,0	5,7	43	68,8
230	0,44	87	9401	6,0	8,5	59	67,5
230	0,55	112	8723	8,0	11,3	73	65,6
230	0,65	135	7968	10,1	14,2	84	62,1
230	0,76	159	7317	12,0	17,0	92	57,6
230	0,86	183	6684	14,0	19,8	98	53,5
230	0,96	206	5997	16,0	22,6	100	48,7
230	1,06	229	5343	18,0	25,5	101	44,0
230	1,15	251	4673	20,0	28,3	98	39,0
230	1,83	411	129	35,4	50,1	5	1,2

Data above represent the performance of an average motor sample. Individual data may vary due to normal manufacturing variations.

484.3.610

DC motor performance

DOMEL®

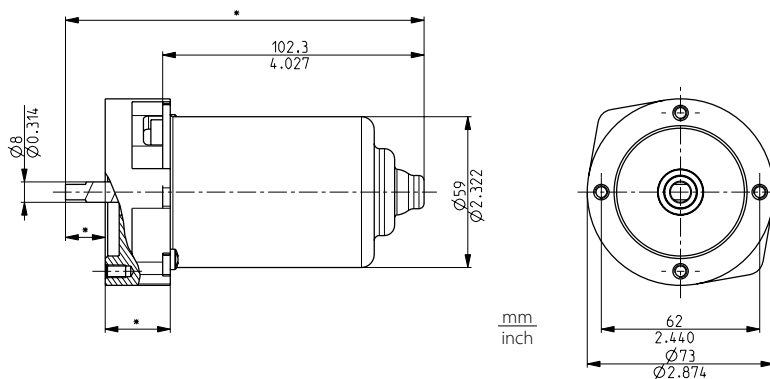
DC PM motor 484.3.610/ 90W/ 24VDC is designed to be built in automobile components for several uses such as at all sorts of pumps and other possibilities used in car motors or car cabins. The motor is available as closed type and is designed for extreme environments.

484 motor family could be easier upgraded also for other uses such as household appliances, door and window applications, movement of desks and other commercial uses.

Technical data:

Code:	484.3.610
Voltage:	24 V DC
Rated input power:	90 W
Rated speed:	4200 min ⁻¹
Rated output power:	80 W
Rated torque:	16 Ncm / 22,6 oz-in
Direction of rotation:	CCW
Type of operation:	30 s »ON«
	30 s »OFF«
Ventilation:	without
Mass:	1,1 kg

Also available in 100V and 120V version



Dimensional and performance data are subject to change without notice.

Voltage	Current	Input Power	Speed	Torque		Output power	Efficiency
				Ncm	oz-in		
V	A	W	min ⁻¹			W	%
24	0,54	13	4845	0,0	0,0	0	0,0
24	1,34	32	4678	4,0	5,7	20	61,3
24	2,14	51	4520	8,0	11,3	38	73,3
24	2,57	62	4434	10,0	14,2	47	75,6
24	2,97	71	4359	12,0	17,0	55	76,8
24	3,38	81	4289	14,0	19,8	63	77,4
24	3,78	91	4209	16,0	22,6	70	77,6
24	4,19	101	4134	18,0	25,4	78	77,2
24	4,61	111	4052	20,0	28,3	85	76,7
24	5,04	121	3984	22,0	31,1	92	75,9
24	5,86	141	3843	26,0	36,8	105	74,3
24	6,72	161	3695	30,0	42,5	116	72,0

The above data demonstrate the performance of one of the family 484 motors. Other new motors could be developed and custom made depending on the customer's wishes with regard to characteristics, voltage, shaft, shield fixing etc. * Orifice in inch is only approximative.

315.3.405

Universal commutator motor performance

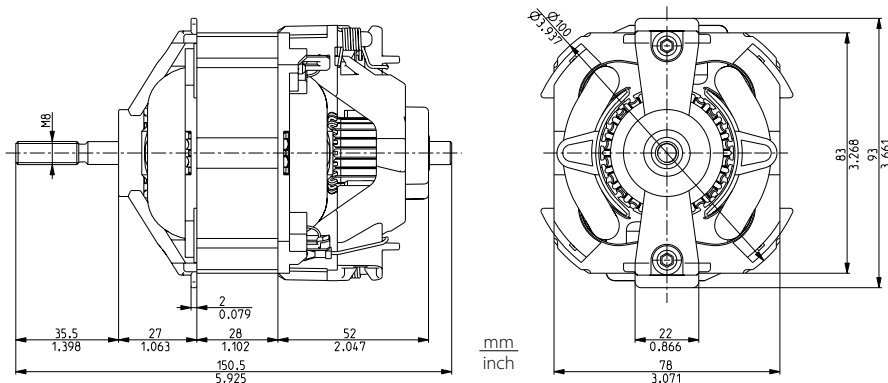
DOMEL®

Universal commutator motors 315.3.405/930W/230V / 50Hz are intended for installations in hand tools, household appliances and other devices. Motors can be adapted to various propulsion functions. Technical data and dimensions are given in the table. The rotor is supported with one ball and one sleeve bearing. The motor is constructed according to EN 60335-1.

Technical data:

Code:	315.3.405
Voltage/frequency:	230 V/50 Hz
Rated input power:	930 W
Rated speed:	9800 min ⁻¹
Rated output power:	610 W
Rated torque:	60 Ncm / 85 oz-in
Direction of rotation:	CCW
Type of operation:	S1
	by EN 60034-1
Ventilation:	external
Mass:	1,42 kg

Also available in 100V and 120V version



Dimensional and performance data are subject to change without notice.

Voltage	Current	Input Power	Speed	Torque		Output power	Efficiency
				Ncm	oz-in		
V	A	W	min ⁻¹			W	%
230	0,71	162	30650	0,0	0,0	0	0,0
230	1,46	318	18569	10,0	14,2	194	61,1
230	2,10	453	15528	20,0	28,3	326	72,1
230	2,76	585	13471	30,0	42,5	424	72,5
230	3,36	706	12109	40,0	56,6	507	71,9
230	3,99	829	10920	50,0	70,8	572	69,0
230	4,53	929	9818	60,0	85,0	618	66,5
230	5,15	1047	8808	70,0	99,1	648	61,9
230	5,66	1145	8022	80,0	113,3	673	58,7
230	6,25	1254	6996	90,0	127,5	661	52,7
230	6,69	1338	6172	100,0	141,6	646	48,3

Data above represent the performance of an average motor sample. Individual data may vary due to normal manufacturing variations.

315.3.503

Universal commutator motor performance

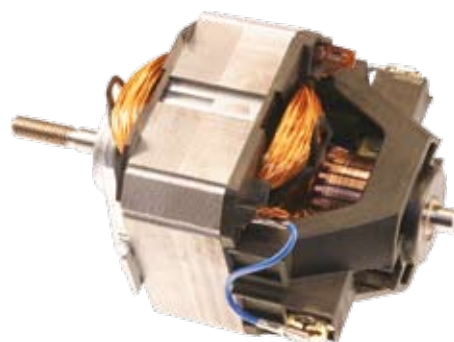
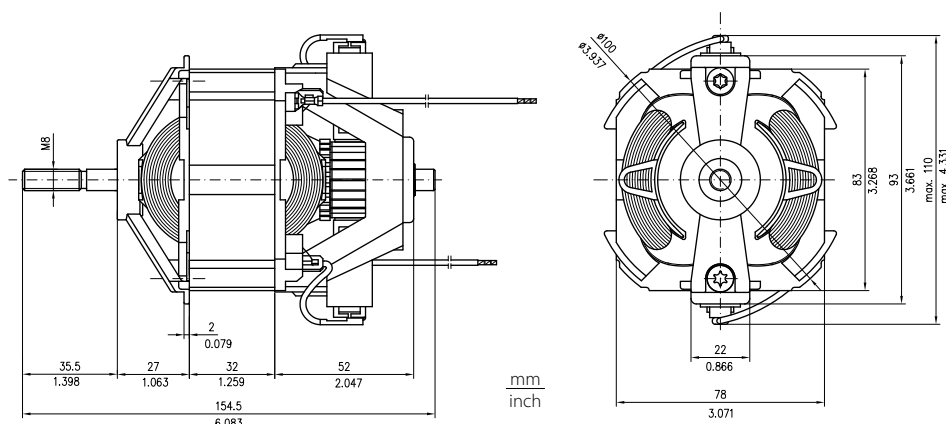
DOMEL®

Technical data:

Universal commutator motors 315.3.503/ 1200W/ 230V/ 50Hz are intended for installations in hand tools, household appliances and other devices. Motors can be adapted to various propulsion functions. Technical data and dimensions are given in the table. The rotor is supported with one ball and one sleeve bearing. The motors is constructed according to EN 60335-1.

Code:	315.3.503
Voltage/frequency:	230 V/50 Hz
Rated input power:	1200 W
Rated speed:	11000 min ⁻¹
Rated output power:	830 W
Rated torque:	73 Ncm / 103 oz-in
Direction of rotation:	CCW
Type of operation:	S1
	by EN 60034-1
Ventilation:	external
Mass:	1,55 kg

Also available in 100V and 120V version



Dimensional and performance data are subject to change without notice.

Voltage	Current	Input Power	Speed	Torque		Output power	Efficiency
				Ncm	oz-in		
V	A	W	min ⁻¹			W	%
230	0,89	194	37750	0,0	0,0	0	0,0
230	1,69	378	21847	10,0	14,2	228	60,4
230	2,42	536	17953	20,0	28,3	380	70,9
230	3,08	673	15870	30,0	42,5	500	74,4
230	3,74	811	14472	40,0	56,6	606	74,7
230	4,41	952	13300	50,0	70,8	699	73,5
230	5,01	1065	12321	60,0	85,0	776	72,9
230	5,60	1182	11448	70,0	99,1	840	71,1
230	5,76	1215	11136	73,0	103,4	852	70,1
230	6,19	1305	10541	80,0	113,3	886	67,9
230	6,73	1413	9860	90,0	127,5	932	66,0
230	7,27	1522	9147	100,0	141,6	959	63,0

Data above represent the performance of an average motor sample. Individual data may vary due to normal manufacturing variations.

315.3.823-3

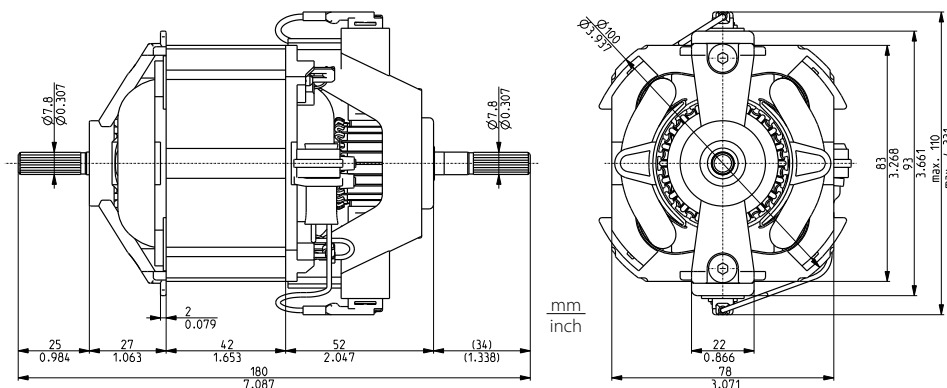
Universal commutator motor performance

DOMEL®

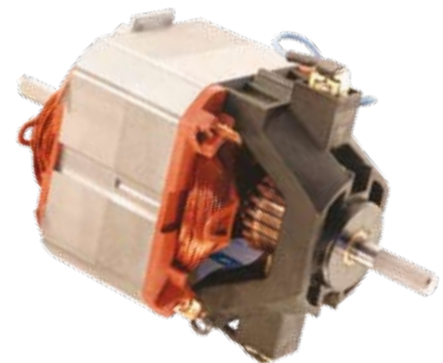
Technical data:

Universal commutator motors 315.3.823-3/ 1450W/ 230V/ 50Hz are intended for installations in hand tools, household appliances and other devices. Motors can be adapted to various propulsion functions. Technical data and dimensions are given in the table. The rotor is supported with one ball and one sleeve bearing. The motors is constructed according to EN 60335-1.

Code:	315.3.823-3
Voltage/frequency:	230 V/50 Hz
Rated input power:	1450 W
Rated speed:	11000 min ⁻¹
Rated output power:	1050 W
Rated torque:	90 Ncm / 128 oz-in
Direction of rotation:	CCW
Type of operation:	S1
	by EN 60034-1
Ventilation:	external
Mass:	1,9 kg



Also available in 100V and 120V version



Dimensional and performance data are subject to change without notice.

Voltage	Current	Input Power	Speed	Torque		Output power	Efficiency
				Ncm	oz-in		
V	A	W	min ⁻¹			W	%
230	0,93	212	36000	0,0	0,0	0	0,0
230	1,84	412	21896	10,0	14,1	228	55,4
230	2,51	554	18438	20,3	28,7	392	70,7
230	3,19	695	16831	30,0	42,5	529	76,2
230	3,88	833	15464	40,0	56,7	648	77,8
230	4,55	966	14368	50,4	71,3	758	78,4
230	5,20	1096	13462	60,1	85,1	847	77,3
230	5,83	1220	12644	70,1	99,3	928	76,1
230	6,47	1348	11958	80,4	113,9	1007	74,7
230	7,07	1462	11303	90,1	127,6	1067	73,0
230	7,65	1574	10684	100,2	141,8	1121	71,2
230	8,25	1693	10154	110,4	156,4	1174	69,4
230	8,81	1805	9733	120,2	170,2	1225	67,9
230	9,32	1900	9135	130,2	184,4	1246	65,6
230	9,88	2009	8674	140,4	198,9	1276	63,5
230	10,41	2110	8132	150,3	212,8	1280	60,7

Data above represent the performance of an average motor sample. Individual data may vary due to normal manufacturing variations.

315.3.826

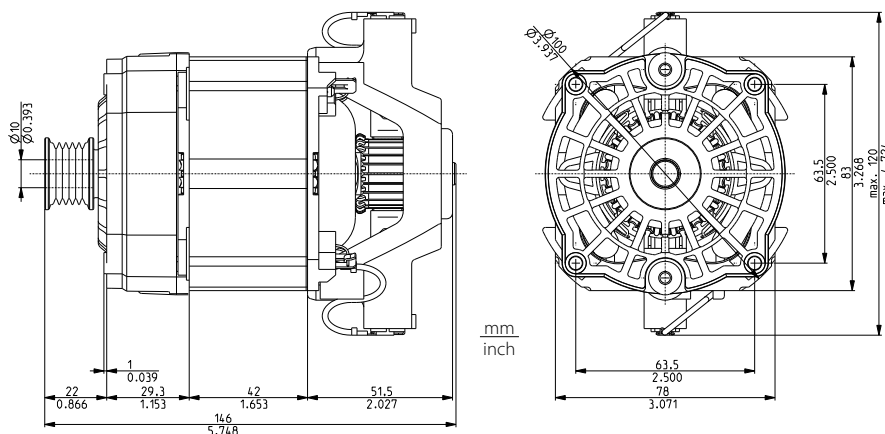
Universal commutator motor performance

DOMEL®

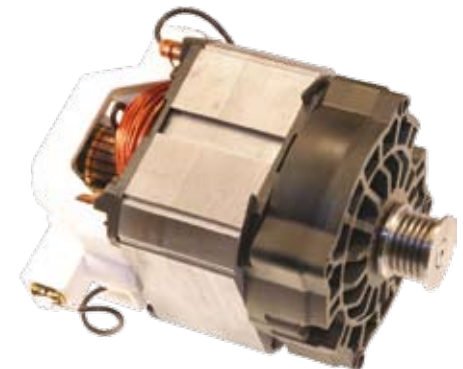
Technical data:

Universal commutator motors 315.3.826/ 1500W/ 230V/50Hz are intended for installations in hand tools, household appliances and other devices. Motors can be adapted to various propulsion functions. Technical data and dimensions are given in the table. The rotor is supported with two ball bearings. The motor is constructed according to EN 60335-1.

Code:	315.3.826
Voltage/frequency:	230 V/50 Hz
Rated input power:	1500 W
Rated speed:	17000 min ⁻¹
Rated output power:	1150 W
Rated torque:	66 Ncm / 94 oz-in
Direction of rotation:	CCW
Type of operation:	S1
	by EN 60034-1
Ventilation:	external
Mass:	2,0 kg



Also available in 100V and 120V version



Dimensional and performance data are subject to change without notice.

Voltage	Current	Input Power	Speed	Torque		Output power	Efficiency
				Ncm	oz-in		
V	A	W	min ⁻¹			W	%
230	1,18	268	39000	0,0	0,0	0	0,0
230	2,30	523	27579	10,0	14,1	288	55,1
230	3,15	708	23590	20,3	28,8	502	70,9
230	3,92	871	21318	30,0	42,5	670	77,0
230	4,73	1041	19675	40,0	56,7	825	79,2
230	5,53	1207	18420	50,4	71,3	972	80,5
230	6,34	1379	17613	60,1	85,1	1108	80,4
230	6,81	1475	17137	66,3	93,9	1190	80,7
230	7,09	1533	16742	70,1	99,3	1229	80,2
230	7,89	1698	15826	80,4	113,9	1333	78,5
230	8,61	1847	15174	90,2	127,7	1432	77,6
230	9,32	1993	14512	100,2	141,8	1522	76,4
230	9,98	2132	13670	110,5	156,5	1582	74,2
230	10,65	2269	13102	120,2	170,2	1649	72,7
230	11,29	2403	12460	130,2	184,4	1699	70,7
230	11,95	2543	11812	140,6	199,1	1739	68,4

Data above represent the performance of an average motor sample. Individual data may vary due to normal manufacturing variations.

315.3.854

Universal commutator motor performance

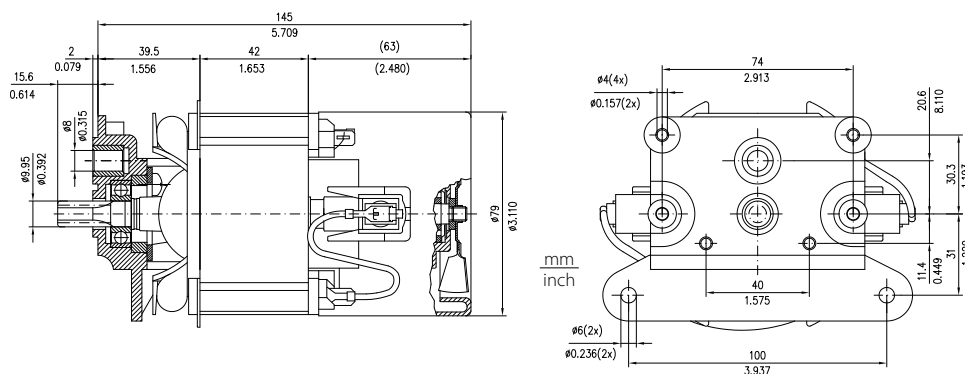
DOMEL®

Technical data:

Universal commutator motors 315.3.854/ 1900W/ 230V/50Hz are intended for installations in hand tools, household appliances and other devices. Motors can be adapted to various propulsion functions. Technical data and dimensions are given in the table. The rotor is supported with two ball bearings. The motor is constructed according to EN 60335-1.

Code:	315.3.854
Voltage/frequency:	230 V/50 Hz
Rated input power:	1900 W
Rated speed:	16000 min ⁻¹
Rated output power:	1300 W
Rated torque:	80 Ncm / 113 oz-in
Direction of rotation:	CCW
Type of operation:	S6, 40%
	by EN 60034-1
Ventilation:	internal
Mass:	2,3 kg

Also available in 100V and 120V version



Dimensional and performance data are subject to change without notice.

Voltage	Current	Input Power	Speed	Torque		Output power	Efficiency
				Ncm	oz-in		
V	A	W	min ⁻¹			W	%
230	3,87	844	22615	20,0	28,3	478	56,6
230	4,75	1023	20857	30,0	42,5	658	64,3
230	5,68	1210	19547	40,0	56,6	834	68,9
230	6,49	1371	18587	50,0	70,8	969	70,7
230	7,41	1567	17764	60,0	85,0	1113	71,1
230	8,25	1734	16835	70,0	99,1	1235	71,2
230	9,06	1900	16057	80,0	113,3	1348	70,9
230	9,92	2080	15343	90,0	127,5	1443	69,4
230	10,70	2257	14781	100,0	141,6	1544	68,4
230	11,44	2400	13983	110,0	155,8	1616	67,3
230	12,23	2547	13165	120,0	169,9	1642	64,5
230	12,84	2685	12692	130,0	184,1	1723	64,2
230	13,63	2828	11797	140,0	198,3	1733	61,3

Data above represent the performance of an average motor sample. Individual data may vary due to normal manufacturing variations.

315.3.903

Universal commutator motor performance

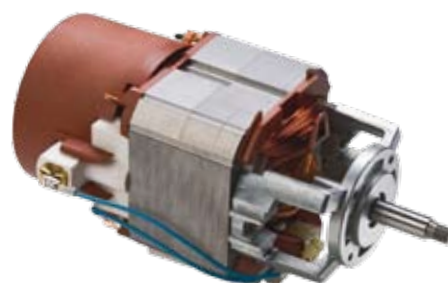
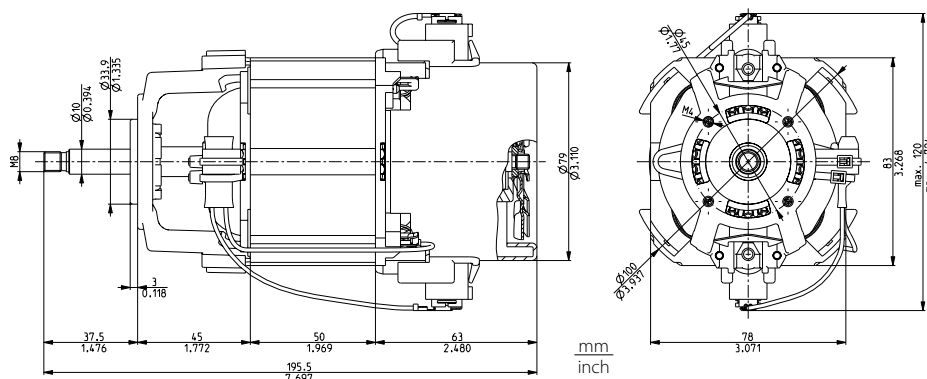
DOMEL®

Technical data:

Universal commutator motors 315.3.903/ 1750W/ 220V/50Hz are intended for installations in hand tools, household appliances and other devices. Motors can be adapted to various propulsion functions. Technical data and dimensions are given in the table. The rotor is supported with two ball bearings. The motor is constructed according to EN 60335-1.

Code:	315.3.903
Voltage/frequency:	220 V/50 Hz
Rated input power:	1750 W
Rated speed:	14000 min ⁻¹
Rated output power:	1260 W
Rated torque:	86 Ncm / 121,8 oz-in
Direction of rotation:	CCW
Type of operation:	S1
	by EN 60034-1
Ventilation:	internal
Mass:	2,45 kg

Also available in 100V and 120V version



Dimensional and performance data are subject to change without notice.

Voltage	Current	Input Power	Speed	Torque		Output power	Efficiency
				Ncm	oz-in		
V	A	W	min ⁻¹			W	%
220	2,04	432	28700	0,0	0,0	0	0,0
220	2,60	558	23467	10	14,2	246	44,0
220	3,46	729	20077	20	28,3	420	57,7
220	4,30	892	18009	30	42,5	566	63,4
220	5,18	1067	17277	40	56,7	724	67,9
220	5,95	1214	16432	50	70,8	860	70,8
220	6,56	1324	15682	60	84,9	984	74,3
220	7,50	1511	14941	70	99,1	1095	72,5
220	8,29	1662	14437	80	113,3	1209	72,8
220	9,04	1807	13870	90	127,5	1308	72,3
220	9,75	1937	13164	100	141,6	1379	71,2
220	10,50	2084	12702	110	155,8	1463	70,2
220	11,19	2214	12210	120	169,8	1533	69,2

Data above represent the performance of an average motor sample. Individual data may vary due to normal manufacturing variations.

451.3.638

Universal commutator motor performance

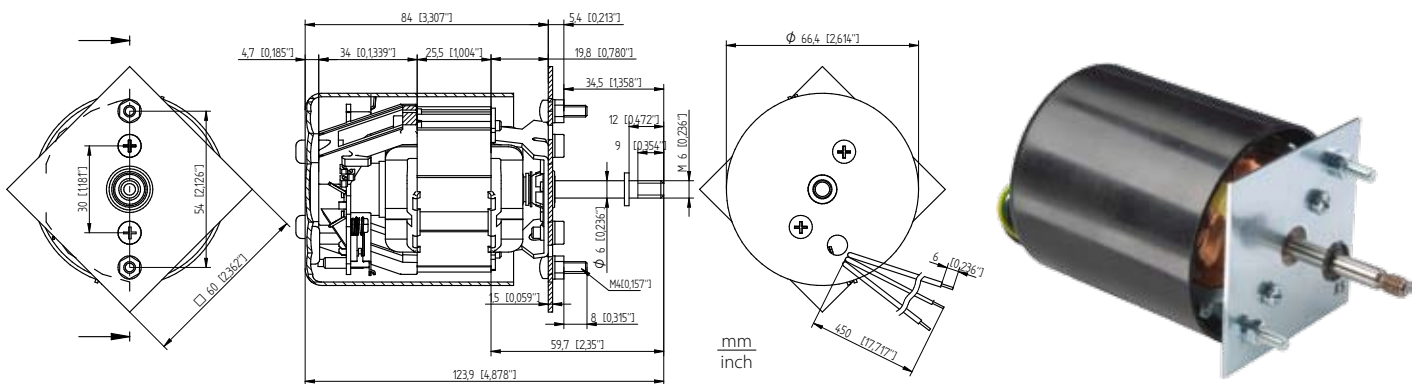
DOMEL®

Technical data:

Universal commutator motors 451.3.638/ 70W/ 220V / 50 Hz are intended for installation in winding machines and various household appliances. Technical data and dimensions are given in the table. The rotor is supported with two sleeve bearings. The motors is constructed in accordance with EN 60335-1.

Code:	451.3.638
Voltage/frequency:	220V / 50Hz
Rated input power:	71 W
Rated speed:	18000 rpm
Rated output power:	19 W
Rated torque:	1 Ncm / 1,4oz-in
Direction of rotation:	CCW
Type of operation:	S3 8sec-ON/8sec-OFF
	by EN 60034-1
Ventilation:	without
Mass:	580 g

Also available in 100V and 120V version



Dimensional and performance data are subject to change without notice.

Voltage V	Current A	Input Power W	Speed min ⁻¹	Torque		Output power W	Efficiency %
				Ncm	oz-in		
220	0.33	71	17998	1.0	1.4	19	26.7
220	0.43	91	13608	3.0	4.2	43	46.8
220	0.58	123	9980	6.0	8.5	63	51.1
220	0.73	152	7834	9.0	12.7	74	48.7
220	0.87	178	6218	12.0	17.0	78	43.9
220	1.02	204	4822	15.0	21.2	76	37.2
220	1.16	228	3599	18.0	25.5	68	29.8
220	1.29	248	2581	21.0	29.7	57	22.9
220	1.41	264	1760	24.0	34.0	44	16.8
220	1.52	271	1083	27.0	38.2	31	11.3

Data above represent the performance of an average motor sample. Individual data may vary due to normal manufacturing variations.

451.3.661

Universal commutator motor performance

DOMEL®

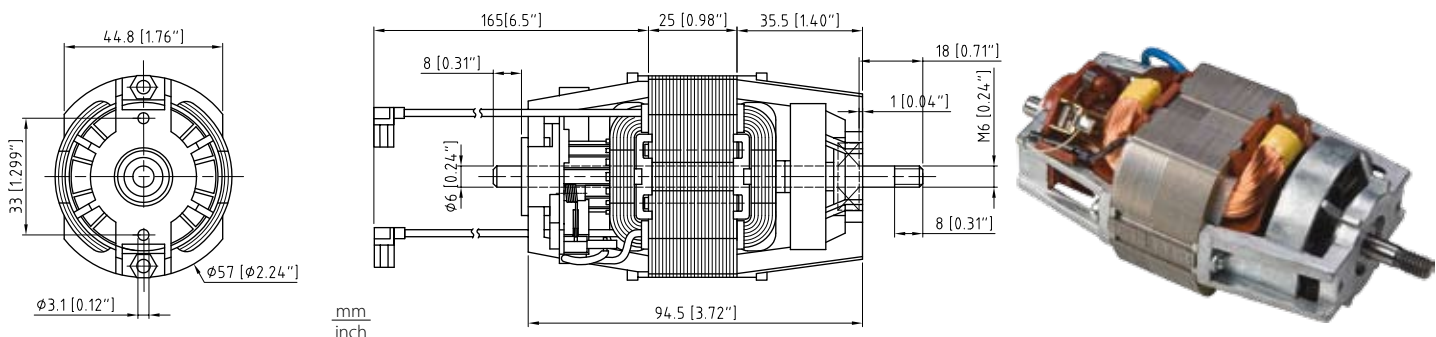
Universal commutator motors 451.3.661/ 125W/ 230V/ 50 Hz are intended for installation in hand tools, various household appliances and other devices. Technical data and dimensions are given in the table. The rotor is supported with one ball and one sleeve bearing.

The motors is constructed in accordance with EN 603351-1.

Technical data:

Code:	451.3.661
Voltage/frequency:	230V / 50Hz
Rated input power:	124 W
Rated speed:	10000 rpm
Rated output power:	63 W
Rated torque:	6 Ncm / 8,5 oz-in
Direction of rotation:	CCW
Type of operation:	S1
	by EN 60034-1
Ventilation:	external
Mass:	535 gr

Also available in 100V and 120V version



Dimensional and performance data are subject to change without notice.

Voltage	Current	Input Power	Speed	Torque		Output power	Efficiency
				Ncm	oz-in		
V	A	W	min ⁻¹			W	%
230	0.34	75	17471	1.0	1.4	18	24.2
230	0.43	95	13418	3.0	4.2	42	44.2
230	0.57	124	10032	6.0	8.5	63	50.7
230	0.70	152	7982	9.0	12.7	75	49.7
230	0.84	178	6441	12.0	17.0	81	45.5
230	0.97	203	5103	15.0	21.2	80	39.5
230	1.10	226	3899	18.0	25.5	73	32.6
230	1.22	244	2880	21.0	29.7	63	26.0
230	1.33	258	2075	24.0	34.0	52	20.2
230	1.44	271	1442	27.0	38.2	41	15.1

Data above represent the performance of an average motor sample. Individual data may vary due to normal manufacturing variations.

451.3.915

Universal commutator motor performance

DOMEL®

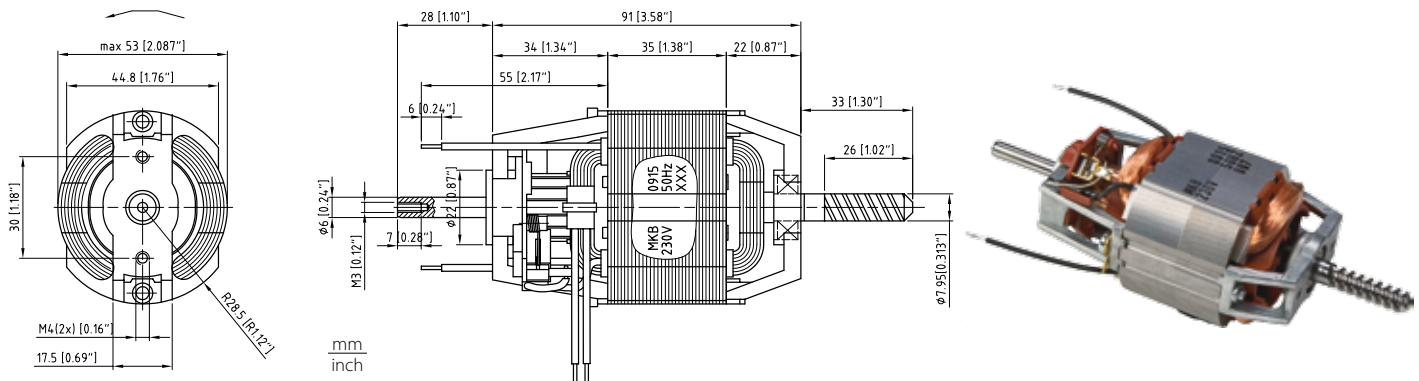
Universal commutator motors 451.3.915/ 257W/ 230V/ 50 Hz are intended for installation in hand tools, various household appliances and other devices. Technical data and dimensions are given in the table. The rotor is supported with one ball and one sleeve bearing.

The motors is constructed in accordance with EN 60335 – 1.

Technical data:

Code:	451.3.915
Voltage/frequency:	230V / 50Hz
Rated input power:	257 W
Rated speed:	11320 rpm
Rated output power:	142 W
Rated torque:	12 Ncm / 17 oz-in
Direction of rotation:	CCW
Type of operation:	S1
	by EN 60034-1
Ventilation:	external
Mass:	625 g

Also available in 100V and 120V version



Dimensional and performance data are subject to change without notice.

Voltage	Current	Input Power	Speed	Torque		Output power	Efficiency
				Ncm	oz-in		
V	A	W	min ⁻¹			W	%
230	0.53	121	22149	1.0	1.4	23	19.3
230	0.68	154	17625	4.0	5.7	74	48.1
230	0.92	206	13637	8.0	11.3	114	55.4
230	1.15	257	11323	12.0	17.0	142	55.4
230	1.37	304	9765	16.0	22.7	164	53.8
230	1.59	350	8511	20.0	28.3	178	50.9
230	1.81	395	7418	24.0	34.0	186	47.3
230	2.03	437	6444	28.0	39.7	189	43.2
230	2.23	477	5577	32.0	45.3	187	39.2
230	2.43	513	4804	36.0	51.0	181	35.3
230	2.61	547	4100	40.0	56.6	172	31.4

Data above represent the performance of an average motor sample. Individual data may vary due to normal manufacturing variations.

451.3.980

Universal commutator motor performance

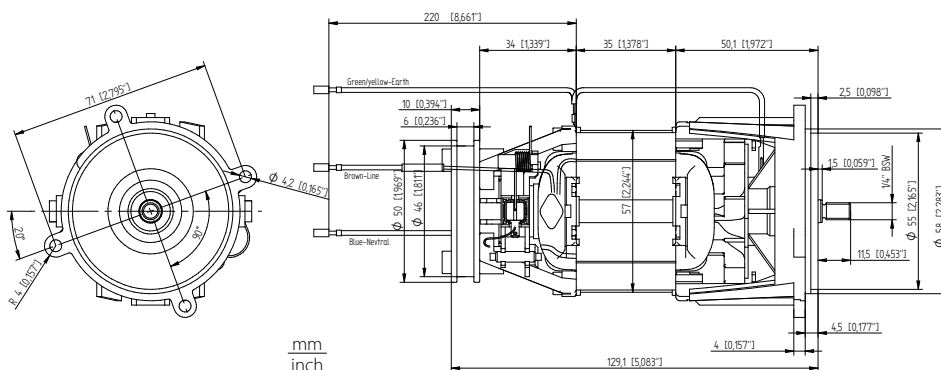
DOMEL®

Technical data:

Universal commutator motors 451.3.980/ 108W/ 240V/ 50 Hz are specially designed for installation in shower pump. The bearing holder on pump side is at the same time also a part of pump housing and it is produced from WRAS approved material. Technical data and dimensions are given in the table. The rotor is supported with one ball and one sleeve bearing. Motor has increased length of the carbon brushes and works up to 1.200 hours. The motors is constructed in accordance with EN 60335 – 1.

Code:	451.3.980
Voltage/frequency:	240V / 50Hz
Rated input power:	108 W
Rated speed:	7560 rpm
Rated output power:	59 W
Rated torque:	7,5 Ncm / 10,6 oz-in
Direction of rotation:	CCW
Type of operation:	S1
	by EN 60034-1
Ventilation:	external
Mass:	645 g

Also available in 100V and 120V version



Dimensional and performance data are subject to change without notice.

Voltage	Current	Input Power	Speed	Torque		Output power	Efficiency
				Ncm	oz-in		
V	A	W	min ⁻¹			W	%
240	0.28	62	14651	1.0	1.4	15	24.6
240	0.34	74	12056	2.5	3.5	32	42.6
240	0.43	92	9321	5.0	7.1	49	53.2
240	0.52	108	7559	7.5	10.6	59	54.9
240	0.61	124	6173	10.0	14.2	65	52.0
240	0.71	141	5000	12.5	17.7	65	46.5
240	0.80	156	4032	15.0	21.2	63	40.6
240	0.88	169	3244	17.5	24.8	59	35.2
240	0.96	180	2579	20.0	28.3	54	30.1
240	1.04	189	1968	22.5	31.9	46	24.6
240	1.15	197	1277	25.0	35.4	33	17.0

Data above represent the performance of an average motor sample. Individual data may vary due to normal manufacturing variations.

Representatives

DOMEL, d.d.

Otoki 21
4228 Železniki
Slovenia
Tel: +386 4 51 17 100
Fax: +386 4 51 17 106

DOMEL, Inc.

P.O. Box 456
East Rutherford, NJ 07073
USA
Tel: +1 201 315 5525
Fax: +1 646 349 1154
Europe: +386 31 393 773

DOMEL AG

Niederlassung Stuttgart
Sophien Str. 25
70178 Stuttgart
Germany
Tel: +49 711 640 8096
Fax: +49 711 630 956

ELECTRICAL HOME AIDS Pty Ltd

169 – 175 Parramatta Road
Auburn NSW 2144
Australia
Tel: +61 2 9748 7411
Fax: +61 2 9748 4893

WATTS INDUSTRIES NORDIC AB

Nordhemsgatan 12B, 5tr
431 27 Göteborg
Sweden
Tel: +46 31 746 57 00
Fax: +46 31 746 57 20

MDV AGENCY

27 Welcomes Road
Kenley
Surrey CR8 5HA
United Kingdom
Tel: +44 208 645 0908
Fax: +44 208 763 0636

TECHNOPOLE COMPANY

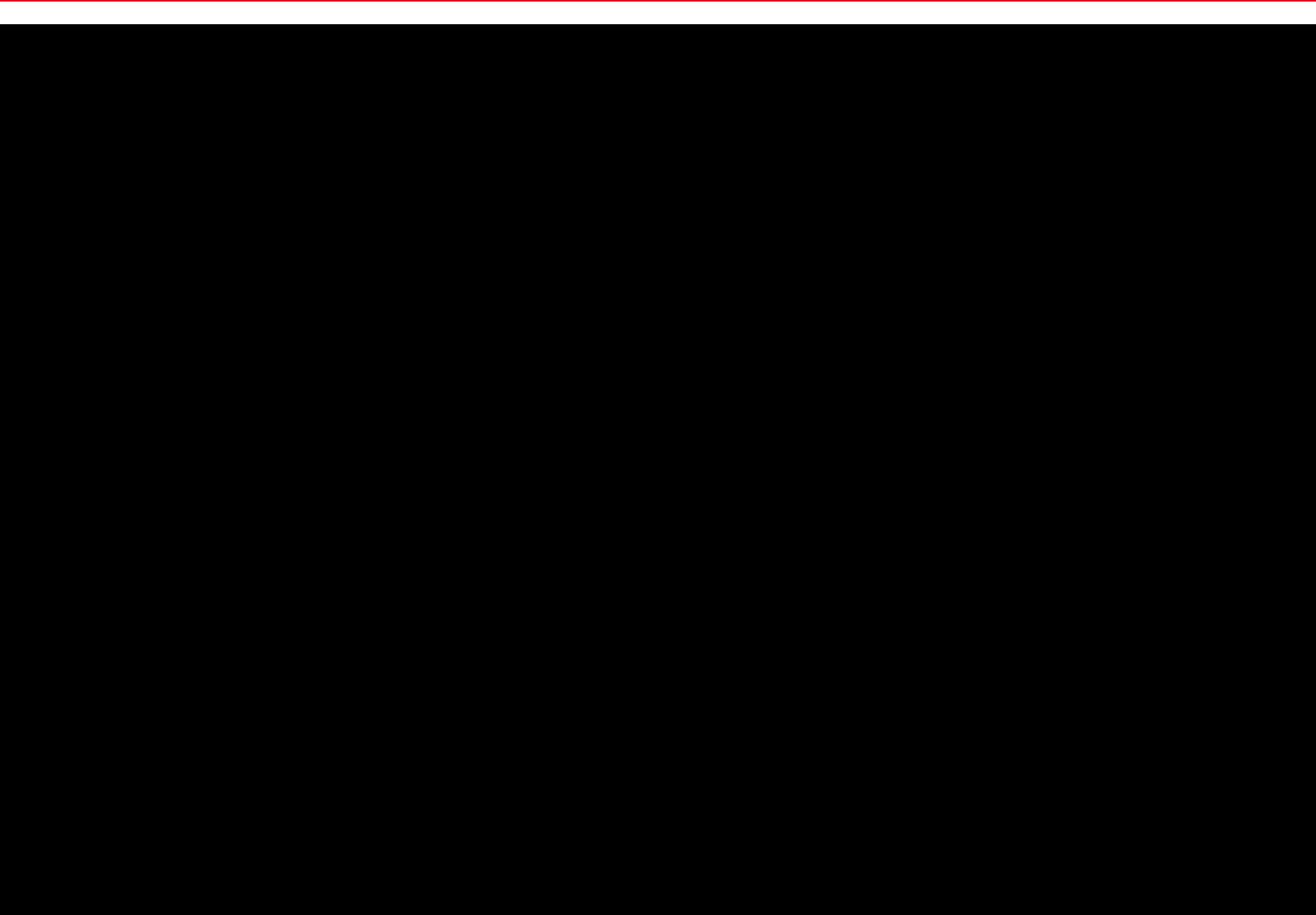
No. 50, Modarres Exp. Way
Tehran – Iran 15 887
Tel.: +9821 888 236 57
Fax: +9821 888 236 44

DOMEL AGENCY

Via Dolomiti 33
20127 Milano, Italy
Tel.: +39 335 64 36 712
Fax: +39 022 682 4034

Table of Contents

Mission	3
Basic company details	3
DC Motors	4
Universal Commutator Motors	4
DC Motors 482.3.501	5
DC Motors 482.3.503	6
DC Motors 482.3.504	7
DC Motors 482.3.505	8
DC Motors 482.3.510	9
DC Motors 482.3.516	10
DC Motors 482.3.531	11
DC Motors 482.3.702	12
DC Motors 482.3.714	13
DC Motors 482.3.717	14
DC Motors 484.3.610	15
Universal Commutator Motors 315.3.405	16
Universal Commutator Motors 315.3.503	17
Universal Commutator Motors 315.3.823-3	18
Universal Commutator Motors 315.3.826	19
Universal Commutator Motors 315.3.854	20
Universal Commutator Motors 315.3.903	21
Universal Commutator Motors 451.3.638	22
Universal Commutator Motors 451.3.661	23
Universal Commutator Motors 451.3.915	24
Universal Commutator Motors 451.3.980	25
Representatives	26
Table of Contents	27



DOMEL[®]

Domel, d.d.,

Otoki 21, 4228 Železniki, Slovenia

Tel.: +386 (0)4 51 17 100, Fax: +386 (0)4 51 17 106

<http://motors.domel.si>

e-mail: info@domel.com