

711 FAMILY

Compact brushless motor (Diameter Φ 34mm)

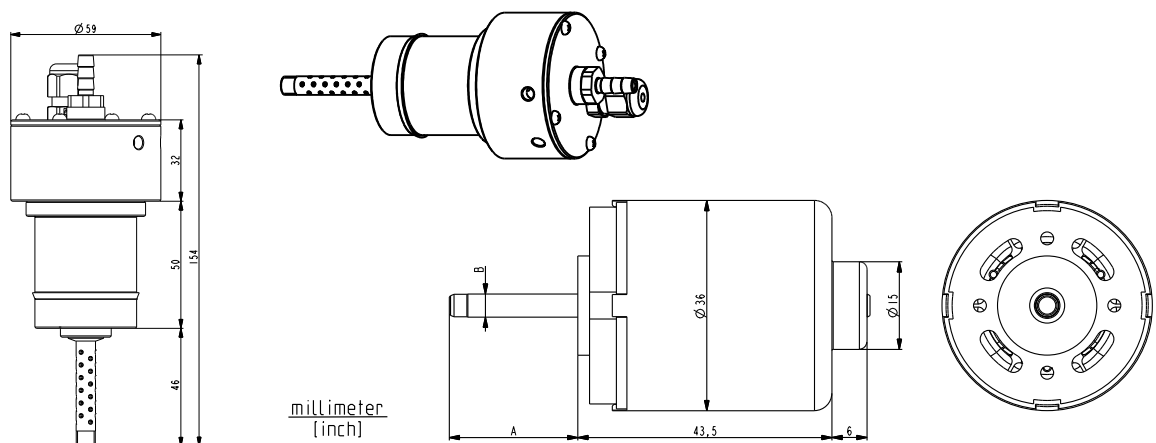
DOMEL®

This brushless motor could be used for various applications, where long life is essential. We also have the capability to customize any of our motors or housings to meet your specific application requirements. To run this motor you need EC controller, which we can offer you or you can use your own solution. Many various options are available, depending on your needs. We can supply you only the motor with housing and shaft or with some custom-design solutions:

- impeller,
- sprayer head,
- special shaft,
- gear wheel, etc.

Applications, where this motor could be used are:

- atomizer,
- hot air gun,
- fogger,
- humidifier,
- sprayer,
- any type of machine, where small diameter brushless motor is needed.



Dimensional data are subject to change without notice and these are only two draft drawings, various different options available.

711 FAMILY / Speed, Torque and efficiency

(Stack 7,5 and 15 mm) Draft performance graph of motor only.

